



GIRISHEGO

SPACE HEATERS & THERMOSTATS

For Panel Board And Switchgear Industries



SPACE HEATERS

GIRISHEGO Space Heaters are ideal for prevention of condensation, corrosion. Leakage currents in L.T. & H.T. Switchgear panel boards, electronic instruments & panels etc. The specially developed design incorporates a stainless steel sheathed cartridge heating element in perforated sheet metal enclosure. Blackodized finish ensures rapid heat dissipation.

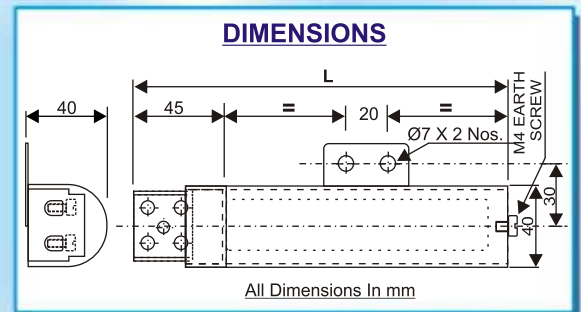
A 2 x 2.5 mm² porcelain terminal block is provided for electrical connection. Installation can be done in vertical or horizontal position, although horizontal mounting is preferred. Distance from surface of panel should be at least 10 mm. and distance from plastic parts should be at least 50 mm.

Each heater is tested for following specific tests.

- 1) High Voltage Test At 2Kv for 1min.
- 2) Insulation Resistance > 10 Mega Ohms.
- 3) Power rating within ± 5%.

Type No	Watts (at 230V)	Total Length(L)
SH/004/145	40 W	145 mm
SH/006/145	60 W	145 mm
SH/008/145	80 W	145 mm
SH/010/175	100 W	175 mm
SH/015/235	150 W	235 mm
SH/020/275	200 W	275 mm
SH/025/275	250 W	275 mm
SH/030/275	300 W	275 mm

Also Available in 110V, 240V & 415V.



THERMOSTATS

GIRISHEGO thermostats are ideal for temperature control of space heaters used in LT & HT switchgear & panel boards etc.

Principle of operation : With temp rise, the principle of differential expansion of brass tube and a Nickel/Iron (inver) Rod is used to actuate a highly accurate snap action micro gap switch located in the head which makes it keep the temperature constant within the differential i.e. A single pole, single throw, normally closed circuit breaks (opens) on rise of temperature.

Construction : The micro gap switch assembly is mounted on a heat resistant base, with rigid brass pillar terminals. Heavy duty Ag cdo contacts are provided for long trouble free life. A thermosetting cover with clear and precise graduations is provided along with a setting knob. Thermostat can be fixed in any position. These are available in standard stem lengths of 7"(175mm), 11" (275mm). Also Available in 110 V & 415 V.

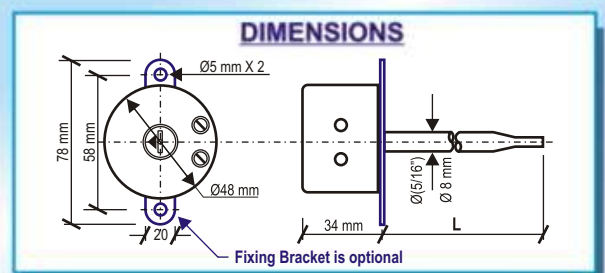


ROUND SHAPE THERMOSTAT 15 AMP-250V AC

Model No.	Stem Length(L)	Temp. Range	Standard Packing
200-C	175mm	0-60°C	25 Nos.
* 205-C	175mm	25-85°C	25 Nos.
* 305-C	275mm	25-85°C	25 Nos.

* With ISI Mark

OTHER PRODUCTS



Mfd by: **GIRISH EGO CONTROLS**

31, Tavawala Bldg., 147, Lohar Chawl, Mumbai - 400002, INDIA.
 TEL : 91 - 22 - 2206 8032 / 2208 3857. FAX : 91 - 22 - 2209 6234
 E-MAIL: girishego@vsnl.com • WEB SITE: www.girishego.com

Strip & Finned Strip Heaters are available in lengths of 9"(228mm), 12"(305mm) Watts: 40W, 60W, 80W, 100W, 150W, 200W & 250W At 230Volts.
 Also Available in 110V, 415V & 8" Length.



GIRISHEGO

SPACE HEATERS & THERMOSTATS

For Panel Board And Switchgear Industries



2 KV.
HIGH VOLTAGE
TESTED



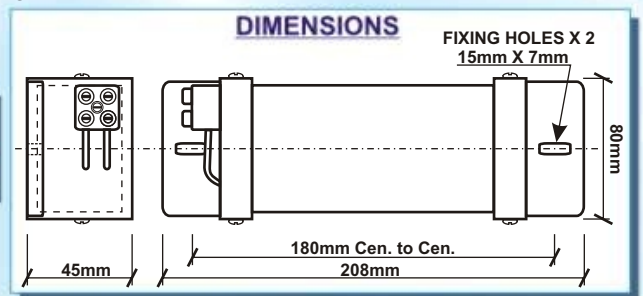
SPACE HEATERS (Box Type)

GIRISHEGO Box type Space Heaters are ideal for prevention of condensation, corrosion. Leakage currents in L.T. & H.T. Switchgear panel boards, electronic instruments & panels etc. The specially developed design incorporates a High Quality mica insulated Kanthal heating element in Aluminum enclosure. A 2 x 2.5 mm² terminal block is provided for electrical connection. Installation can be done in vertical or horizontal position, although horizontal mounting is preferred. Distance from surface of panel should be at least 10 mm. and distance from plastic parts should be at least 50 mm.

Each heater is tested for following specific tests.

- 1) High Voltage Test At 2Kv for 1min.
- 2) Insulation Resistance > 10 Mega Ohms.
- 3) Power rating within ± 5%.

Watts	Volts	Total Length(L)	Fixing holes Cen-to-Cen
80W	240V	208mm	180mm



THERMOSTATS

GIRISHEGO thermostats are ideal for temperature control of space heaters used in LT & HT switchgear & panel boards etc.

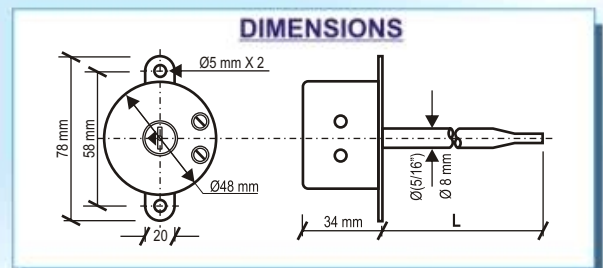
Principle of operation : With temp rise, the principle of differential expansion of brass tube and a Nickel/Iron (inver) Rod is used to actuate a highly accurate snap action micro gap switch located in the head which makes it keep the temperature constant within the differential i.e. A single pole, single throw, normally closed circuit breaks (opens) on rise of temperature.

Construction : The micro gap switch assembly is mounted on a heat resistant base, with rigid brass pillar terminals. Heavy duty Ag cdo contacts are provided for long trouble free life. A thermostetting cover with clear and precise graduations is provided along with a setting knob Two fixing holes of Dia. 5mm are provided at a center distance of 58mm. Thermostat can be fixed in any position. These are available in standard stem lengths of 7"(175mm),

ROUND SHAPE THERMOSTAT 15 AMP-250V AC

Model No.	Stem Length(L)	Temp. Range	Standard Packing
205-B	175mm	25-85°C	25 Nos.

Also Available in 110 V, 415 V, Temp. range of 0 - 60°C & stem lengths of 11"(275mm) & Without fixing bracket.



OTHER PRODUCTS



Strip & Finned Strip Heaters are available in lengths of 9"(228mm), 12"(305mm) Watts: 40W, 60W, 80W, 100W, 150W, 200W & 250W At 230Volts. Also Available in 110V, 415V & 8" Length.

Mfd by:

GIRISH EGO CONTROLS

31, Tavawala Bldg., 147, Lohar Chawl, Mumbai - 400002, INDIA.
TEL : 91 - 22 - 2206 8032 / 2208 3857. FAX : 91 - 22 - 2209 6234
E-MAIL: girishego@vsnl.com • WEB SITE: www.girishego.com